

# M-172SJT

# M-203SJT

电脑横编织机

Computerized Flat Knitting Machine



## MATSUYA

KNIT TO THE FUTURE

2014.05

# Try on M-172SJT M-203SJT

Computerized Flat Knitting Machine

## 机件介绍

### Introduction of our machine parts

#### 两段推针片 2-Steps Jacks

两段推针片相对只有一段或无推针片的机型，增添了选针的机会，让原本只能做到简单又普通的几种花样变得丰富起来。

In comparison with those other machines with only one-step jack or even without jacks, our machine is equipped with 2 steps of jacks which has the advantage to knit more geometric patterns.

#### 电脑画花系统 Computerized Pattern System

新设计的画花系统简单、易学、易操作，在不影响机台生产的同时，在电脑中设定好所需要生产的花样数据。只需通过USB读取到机台即可开机生产。

The new design pattern system is simple & easy to learn & operation. User can make the pattern in the computer while the machine is in production. After make the pattern, only need to transfer the pattern from the computer to the machine by USB.

#### 控制系统 Control System

操作简单易懂，编排程序时无需通过电脑即可直接输入及更改；同时机器可以通过USB读写和保存大量的数据。

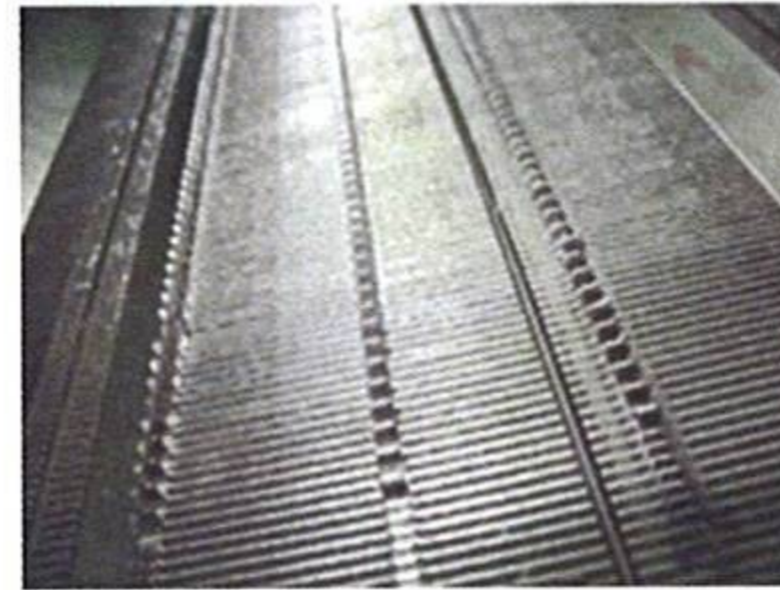
Our control system is easy to operate... Manual direct input to the display is one of the advantages. Furthermore, the system is also adaptable to use USB for saving the working data.

#### 大/小行程 Large/Small stroke

由编码器控制的大/小行程更便于操作，可使用1组大行程和2组小行程组合，使编织不同花样更加方便和容易。

The Large/Small stroke is control by encoder, it is more easier for operation. The user can arrange the stroke with 1 large stroke & 2 small stroke, it is more convenience & easy to make different patterns.

两段推针片



高低针脚

电脑画花系统

CODE	DIR	LEFT CARRIAGE				RIGHT CARRIAGE				RACK	SPO	STRK	TAKE	JAM			
		STOP	CAMP	STRO	CAMP	VAR	STOP	CAMP	STRO						CAMP	VAR	
1	--	100	12100	100	12100	04	100	12100	100	12100	04	45	4	3	3	0	0
2	--	85	11000	85	11000	20	0	00000	0	00000	00	45	5	3	5	0	0
3	--	85	11000	0	00000	20	0	00000	0	00000	00	45	5	3	5	0	0
4	--	0	00000	85	11000	20	0	00000	0	00000	00	45	5	3	5	0	0
5	--	70	11000	70	11000	80	0	00000	0	00000	00	45	5	3	5	0	0
6	--	85	11000	0	00000	80	0	00000	0	00000	00	45	5	3	5	0	0
7	--	0	00000	85	11000	80	0	00000	0	00000	00	45	5	3	5	0	0
8	--	0	00000	85	11000	80	0	00000	0	00000	00	45	5	3	5	0	0
9	--	0	00000	0	00000	20	0	00000	0	00000	00	45	3	4	5	0	0
10	--	80	10800	0	00000	20	0	00000	0	00000	00	45	3	4	5	0	0

控制系统



自动舒缓卷取设计



M-203SJT

# M-172SJT

# M-203SJT

## 双机头 Twin Carriage

编织时可分开运作，相同的时间双倍的产量，也可合并在一起辅助增加编织的动作和速度。

Both carriages can be joined together as tandem drive for knitting wide fabric or separated to knit 2 collars at a time giving twice the production at the same knitting time.

## 高低针脚 High/Low Butt Needles

通过高低针脚的搭配，充分利用两段推针片的性能，使推针片的类型增至八种，加上高低脚织针的灵活运用和排列之后，可达到更加复杂多样的效果。

With the combination of the high/low butt needles and the 2-step jacks, more complicated patterns can be knitted.

## 自动舒缓卷取设计

### Automatic Tension-release take-down design

停机时间超过15秒，卷布会自动放松，以免织物变形和织针长时间受力，待重新运转时，启动时间为3秒，其作用是恢复罗拉对织物的拉力，避免浮布撞针及平均织物的受力情况。

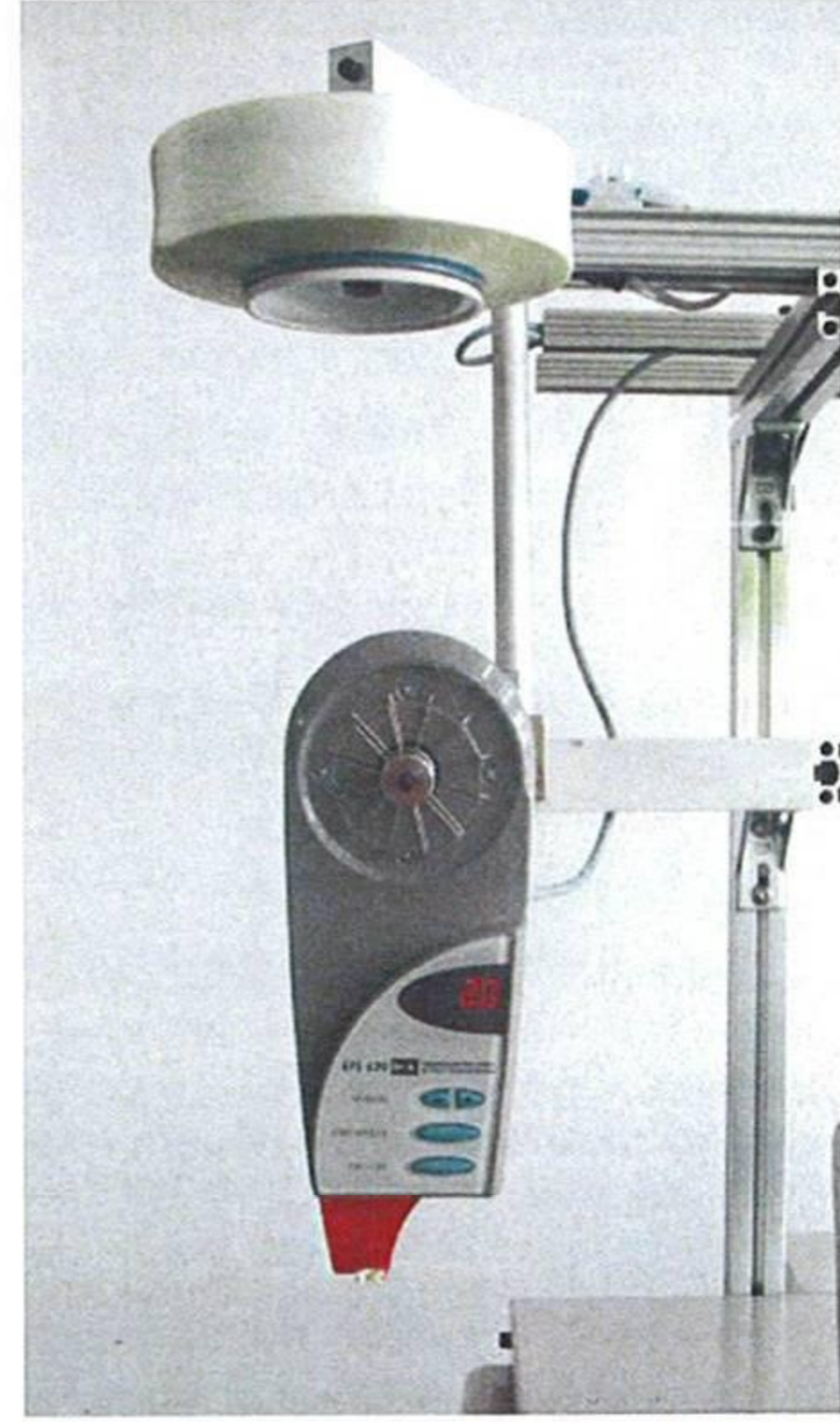
In the case when the machine stops for more than 15 seconds, the take-down rollers will automatically be released of its tension to avoid the transformation of the fabric and the needles from being pulled. Likewise, the take-down rollers will be returned back to its previous tension after starting the machine for 3 seconds to avoid the rising of fabric causing needle breakage.

## 停机装置 Stop Motion

据不同程度对织物或机械造成的影响，分别在纱架、侧张力架、探针、罗拉、变频器等处装有故障自停设置，能更有效的确保产品质量和机械性能。

The machine is equipped with automatic stop motion devices everywhere (tensioner, side tensioner, needle detector, take-down roller, inverter etc) to assure the quality of the fabrics as well as the machine performance.

## 选购附件 Optional Device



美名格纱架及主体  
Memminger Stand and Head Set

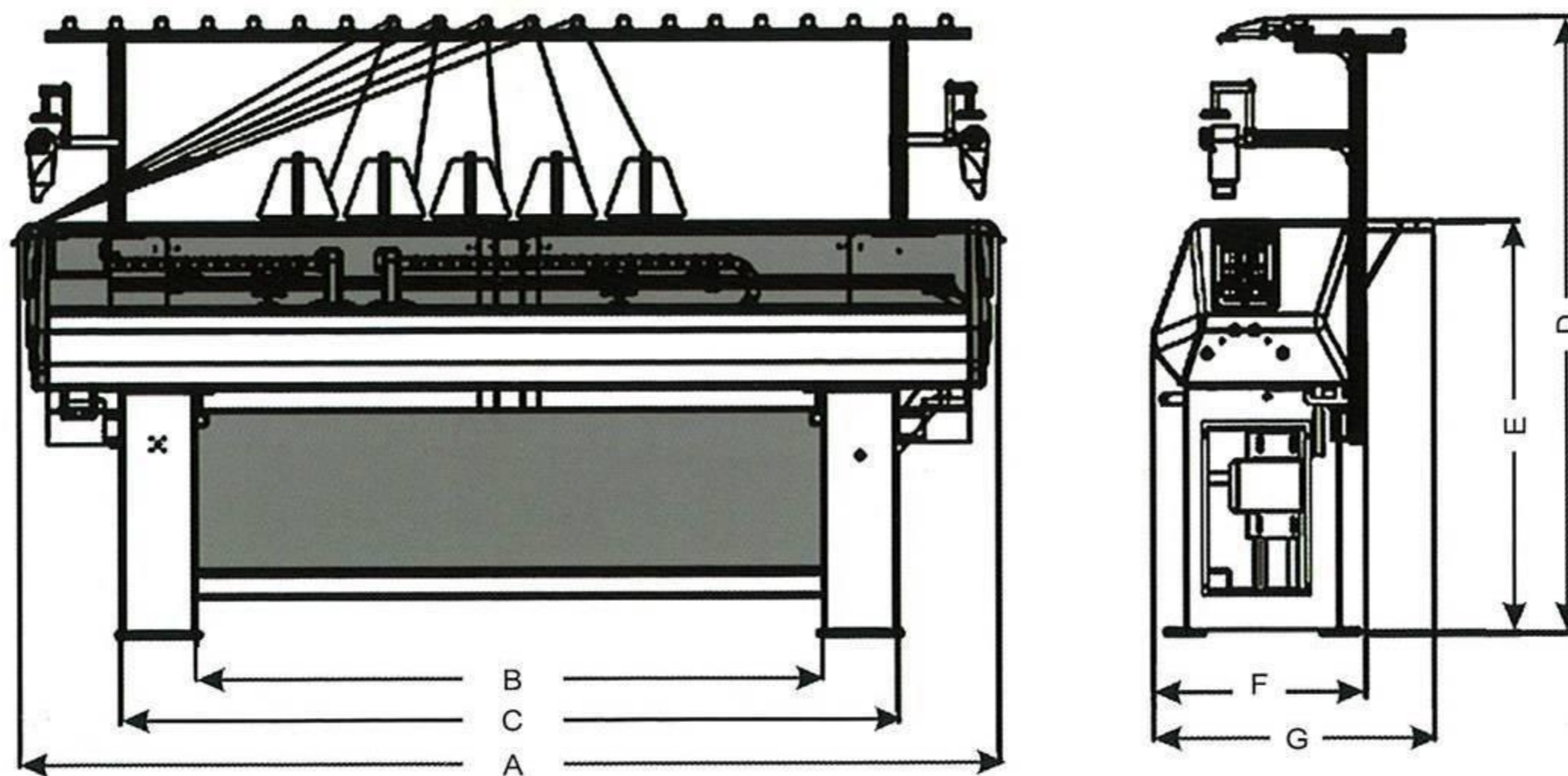
本机器配备断电记忆功能。

The machine is equipped with memory back up.

## 生产花样 Sample patterns



SIZE CODE (mm)	A	B	C	D	E	F	G
M-172SJT	2,974	1,900	2,360	1,940	1,253	643	853
M-203SJT	3,274	2,200	2,660	1,940	1,253	643	853



## ■ 织机规格 ■ SPECIFICATIONS

针数 GAUGE (NEEDLES)	10,12,14,16,18	
编织宽度 KNITTING WIDTH	编幅68寸 68-inch (M-172SJT)	编幅80寸 80-inch (M-203SJT)
编织速度 KNITTING SPEED	最大1.3米/秒 Max, 1.3M/sec	
驱动 DRIVE MECHANISM	变频器方式, 0.37KW马达, 220V 单相 Inverter system, 0.37kw motor, 220v single-phase	
摇床 RACKING	步进马达控制, 左右可移动至针对针, 针对齿可调间距 Controlled by stepping motor, 1x5 pitch at any position, 1/2 pitch available	
三角 CAM SYSTEM	双机头单编织系统 Twin carriages single cam system (Double-cam drive, tandem drive)	
卷布 TAKE-DOWN ROLLER	用扭矩马达控制 Controlled by torque motor	
控制 CONTROL	电脑控制 Computer control	
安全装置 STOP MOTION	断纱、结头、塌布、断针 Yarn breakage, knot, fabric fall, needle breakage	
程式输入 DATA INPUT	直接输入及USB Direct input & USB	
选针 NEEDLE SELECTION	高脚/全部 High butt / all butt	
推针片 JACK	2段高脚/全部 2 Steps (each high butt/all butt)	
大小行程 LARGE/SMALL STROKE	1组大行程 & 2组小行程 1 LARGE STROKES & 2 SMALL STROKES	
选购附件 OPTION DEVICE	美名格纱架 Memminger Stand 美名格 EFS620 拉架输送单元 Memminger EFS620 Head Set	

\* 内容如有改变, 恕不通知。 Specialification and design are subject to be changed without notice due to improvement of the machine.

# MATSUYA

MATSUYA INDUSTRIES LTD.

26-7, 1-Chome, Mikawa-Anjo-Honmachi, Anjo,

Aichi 446-0058 Japan

Tel : 81-566-71-5188

Fax: 81-566-72-7820

E-Mail: info@matsuya-corp.com

松谷机械(惠州)有限公司

MATSUYA MACHINERY (HUI ZHOU) CO.,LTD.

中国广东省惠州市惠城区仲恺大道(惠环)168号

No.168, Zhong Kai Road, Hui Huan, Hui Cheng District,  
Huizhou City, Guangdong, P.R.C.

电话 (Tel) : 86-752-2652866

传真 (Fax): 86-752-2653588

邮编 (P.C): 516008

电邮 (E-Mail): hzmatsuya@matsuya.com.cn

网址 (Website): www.matsuya.com.cn



**MATSUYA**

KNIT TO THE FUTURE

**Super-NSC 212**

**Super-NSC 315**

**电脑提花横编织机**

Computerized Jacquard Flat Knitting Machine

# Try on Super-NSC 212 Super-NSC 315

最新科技与半世纪经验的完美组合

Latest technologies harmonizing  
with experience over half-century

易学易懂 Easy to learn and easy to understand  
操作简单 Simple operation



Super-NSC 212



Super-NSC 315

## 用精彩的点子来满足您的要求 Our variety of ideas to meet your various requirements

机器使用经过改良的睿能系统，更稳定、更高效。

The machine is equipped with improved RAYNEN system, more stable and more efficiency.

重新设定的起底板装置，动作更顺畅，与系统的配合更吻合，能快速反应，提高生产效率（选购装置）。

The re-design SET-UP COMB system, can work more smoothly, match the system, quickly response so as to get higher production (option device).

机头重量减轻，结构改良，配合高速回转软件，有效地提高产量，单系统时提升更多。

The weight of the carriage become lighter, with the improved mechanical structure, controlled by our high speed return software, can get higher production; especially when using the single system.

新的卷布系统，卷布较为均匀和平直，当局部编织时，效果更佳。

The new develop take down system, can get the even fabric, especially when partial knitting, the effect is remarkable.

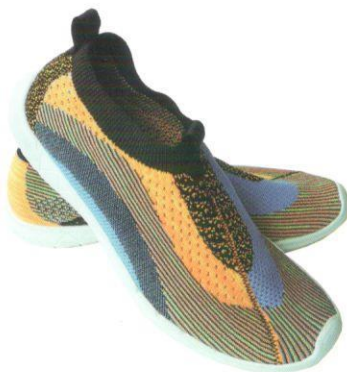
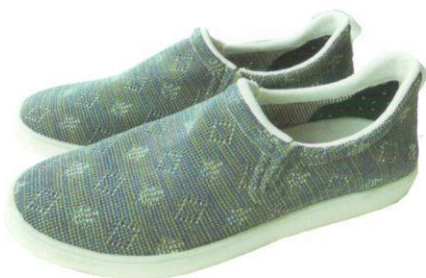
### 毛衣样板 Sweater Samples



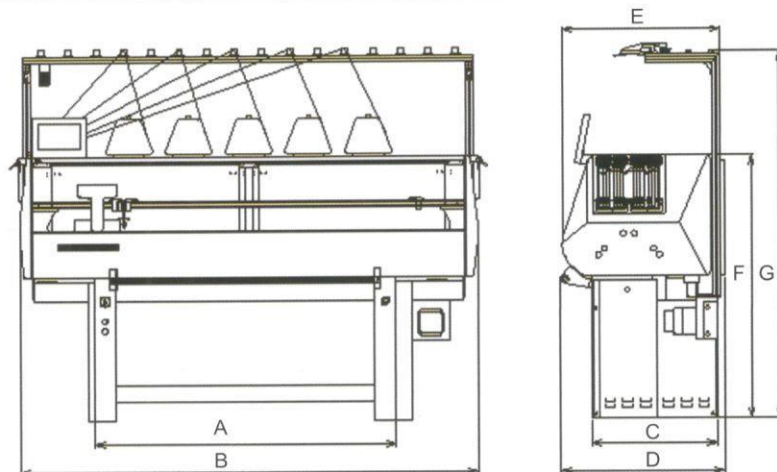
### 衣领样板 Collar Samples



### 鞋面样板 Shoe Samples



SIZE CODE(mm)	A	B	C	D	E	F	G
MACHINE MODEL Super-NSC 48 "	1490	2455	690	826	794	1368	2018
Super-NSC 60 "	1790	3080	690	826	794	1368	2018



规格说明 MACHINE SPECIFICATIONS

型 号 MODEL	Super-NSC 212   Super-NSC 215   Super-NSC 315	
STANDARD GAUGE	7G/10G/12G/14G/16G	
编织宽度 KNITTING WIDTH	48英寸 48-INCH	60英寸 60-INCH
编织速度 KNITTING SPEED	最高1.3米/秒 MAX.1.3M/SEC	
编织系统 KNITTING SYSTEM	双系统, 单头 DOUBLE SYSTEM, SINGLE CARRIAGE	双系统/三系统, 单头 DOUBLE/THREE SYSTEM, SINGLE CARRIAGE
线圈密度 STITCH LENGTH	步进马达控制, 128组密度选择 STEPPING MOTOR CONTROL, 128 GROUP STITCH FOR CHOICE	
移 床 RACKING	由伺服电机控制, 行程2英寸 CONTROLLED BY SERVO MOTOR.MAX 2-INCH	
沉降片 SINKER SYSTEM	程控3工位系统 PROGRAMMABLE 3-WAY SINKER SYSTEM	
选 针 NEEDLE SELECTION	由选针器作全提花选针 FULL JACQUARD SELECTION BY ACTUATORS	7G/10G/12G/14G 用6段选针 16G 用8段选针 USE 6 STEP ACTUATORS USE 8 STEP ACTUATORS
卷布罗拉 TAKE DOWN ROLLER	高位罗拉系统 UPPER ROLLER SYSTEM	
纱 咀 YARN CARRIERS	16个 16 PCS	
天 线 架 TOP TENSIONS	17个 17 PCS	
自停装置 STOP MOTION	断纱、结头、断针、振动、数据错误等 YARN BREAKAGE, KNOT, NEEDLE BREAKAGE, DATA ERROR, ETC.	
传动机构 DRIVE SYSTEM	伺服系统传动机构 AC SERVO SYSTEM	
选 购 OPTION	储纱器 YARN STORAGES	
	主罗拉 MAIN ROLLER	
	起底板 SET-UP COMB	
	剪刀 & 夹子 CUTTER & GRIPPER	
控制系统 CONTROLLER		
系 统 SYSTEM	预设程序系统 STORED PROGRAM SYSTEM	
数据输入 DATA INPUT	USB	
显 示 CONTROL DISPLAY	彩色液晶触摸屏 FULL COLOR LCD TOUCHABLE DISPLAY	
电 源 POWER	单相 1.0KW AC220V SINGLE PHASE	

\* 内容如有改变, 恕不通知。 Specialification and design are subject to be changed without notice due to improvement of the machine.

**MATSUYA**  
KNIT TO THE FUTURE

**MATSUYA INDUSTRIES LTD.**

26-7, 1-Chome, Mikawa-Anjo-Honmachi, Anjo,  
Aichi 446-0058 Japan

Tel : 81-566-71-5188

Fax: 81-566-72-7820

E-Mail: info@matsuya-corp.com

**松谷机械(惠州)有限公司**

MATSUYA MACHINERY (HUI ZHOU) CO.,LTD.  
中国广东省惠州市惠城区仲恺大道 (惠环) 168号  
No.168, Zhong Kai Road, Hui Huan, Hui Cheng District,  
Huizhou City, Guangdong, P.R.C.

电话 (Tel) : 86-752-2652866

传真 (Fax): 86-752-2653588

邮编 (P.C): 516008

电邮 (E-Mail): hzmatsuya@matsuya.com.cn

网址 (Website): www.matsuya.com.cn